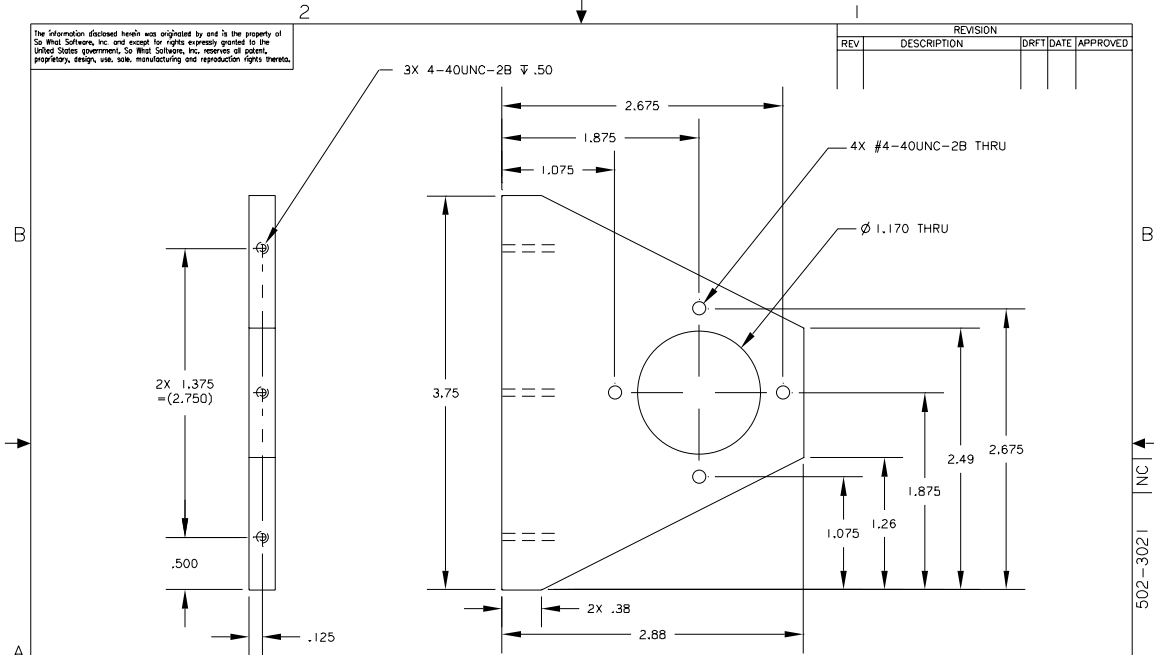


The information disclosed herein was originated by and is the property of So What Software, Inc. and except for rights expressly granted to the United States government, So What Software, Inc. reserves all patent, proprietary, design, use, sale, manufacturing and reproduction rights therein.

REVISION			
REV	DESCRIPTION	DRFT/DATE	APPROVED



QTY RECD	QTY REQD	ITEM NO.	PART OR IDENTIFYING NO.	NOMENCLATURE OR DESCRIPTION	MATERIAL	SPECIFICATION	CODE
-2	-1						

UNLESS OTHERWISE SPECIFIED DIMENSIONS ARE IN INCHES				PROC/PROJ		CNC01	
DIMENSIONS APPLY AFTER FINISH				DRAWN	W. STEPHENS	10/0/0	
TOLERANCES				CHECKED	W. STEPHENS	10/0/0	TITLE
HOLE DRILL				XXX	XXX	XXX	
ANGLES				XXX	XXX	XXX	
MATERIAL				Mech. Eng.	W. STEPHENS	10/0/0	
6061-T6 ALUMINUM				Elec. Eng.	W. STEPHENS	10/0/0	
.25 THICK				G.A. Eng.	W. STEPHENS	10/0/0	
FINISH				Mfg. Eng.	W. STEPHENS	10/0/0	
NONE				Proj. Eng.	W. STEPHENS	10/0/0	
SURFACE ROUGHNESS				Mat. Cont.	W. STEPHENS	10/0/0	
✓				Release	W. STEPHENS	10/0/0	



BASE - DREMEL MOUNT

QTY	QTY NEXT ASSEMBLY	USED ON	APPLICATION	SIZE	CAGE CODE	DWG NO.	REV
1	1	502-1000	502-0000	C	----	502-3021	NC
N/A	0			SCALE	1/2	DO NOT SCALE DRAWING	SHEET 1 OF 1

NOTE: UNLESS OTHERWISE SPECIFIED.

502-3021 NC