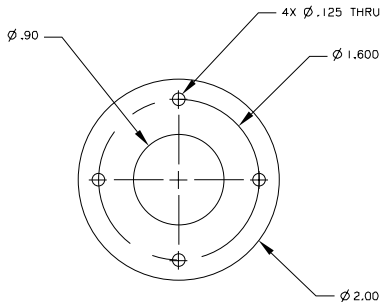


The information disclosed herein was originated by and is the property of So What Software, Inc. and except for rights expressly granted to the United States government, So What Software, Inc. reserves all patent, proprietary, design, use, sale, manufacturing and reproduction rights therein.

REVISION				
REV	DESCRIPTION	DRFT	DATE	APPROVED

B



B

NC

502-3024

A

A

QTY REQD	QTY REQD	ITEM NO	PART OR IDENTIFYING NO.	NOMENCLATURE OR DESCRIPTION	MATERIAL	SPECIFICATION	CODE
-2	-1						
				UNLESS OTHERWISE SPECIFIED DIMENSIONS ARE IN INCHES	PRG/PROJ	CNC01	
				DIMENSIONS APPLY AFTER FINISH	DRAWN	W. STEPHENS	02/08
				TOLERANCES	CHECKED	W. STEPHENS	02/08
				HOLE DIA	XX		
				ANGLES	XXX		
				MATERIAL	MECH. ENG.	W. STEPHENS	02/08
				6061-T6 ALUMINUM	ELEC. ENG.	W. STEPHENS	02/08
				.060 THICK	D.A. ENG.	W. STEPHENS	02/08
				FINISH	MFG. ENG.	W. STEPHENS	02/08
				NONE	PROJ. ENG.	W. STEPHENS	02/08
				APPLICATION	MAT. CONT.	W. STEPHENS	02/08
				SURFACE ROUGHNESS	RELEASE	W. STEPHENS	02/08

I I		502-1000	502-0000				
QTY	QTY	NEXT ASSEMBLY	USED ON				
N/A	U/D						

		TITLE	
		RETAINER - DREMEL MOUNT	
SIZE	CAGE CODE	DWG NO.	REV
C	----	502-3024	NC
SCALE	1/2	DO NOT SCALE DRAWING	SHEET 1 OF 1

NOTE: UNLESS OTHERWISE SPECIFIED.

2

1