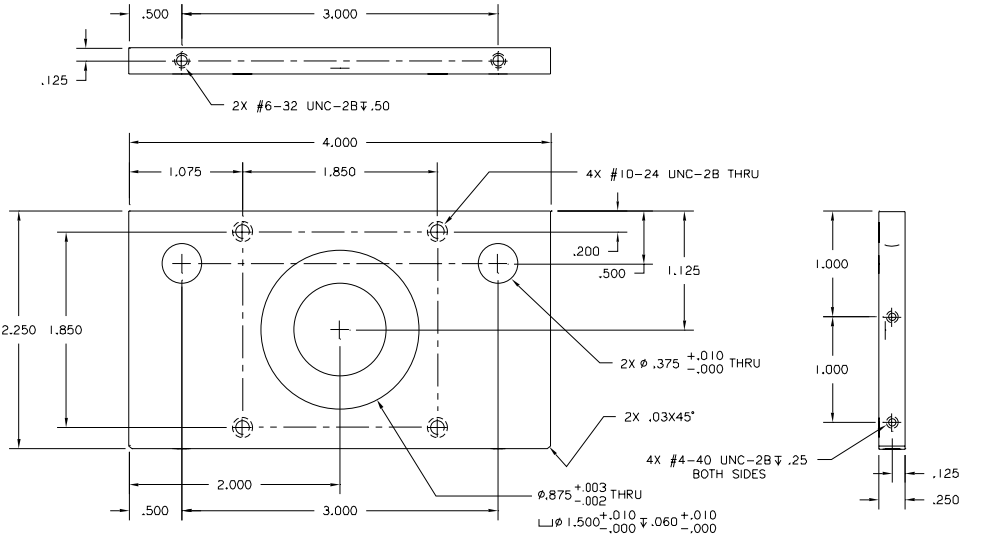


The information disclosed herein was originated by and is the property of So What Software, Inc and except for rights expressly granted to the United States government, So What Software, Inc. reserves all patent, proprietary, design, use, sale, manufacturing and reproduction rights therein.

REVISION				
REV	DESCRIPTION	DRFT	DATE	APPROVED



B
A

B
A

QTY REQD	QTY RECD	ITEM NO.	PART OR IDENTIFYING NO.	NOMENCLATURE OR DESCRIPTION	MATERIAL	SPECIFICATION	CODE
-2	-1		-1				
UNLESS OTHERWISE SPECIFIED DIMENSIONS ARE IN INCHES				PROG/PROJ	CNC01		
DIMENSIONS APPLY AFTER FINISH				DRAWN	W. STEPHENS	9/8/04	
TOLERANCES				CHECKED	W. STEPHENS	9/8/04	
HOLE-DIA				MACH. ENG.	W. STEPHENS	9/8/04	
ANGLE				ELEC. ENG.	W. STEPHENS	9/8/04	
MATERIAL				Q.A. ENG.	W. STEPHENS	9/8/04	
6061-T6 ALUMINUM .25 THICK				MFG. ENG.	W. STEPHENS	9/8/04	
FINISH				PROJ. ENG.	W. STEPHENS	9/8/04	
NONE				MAT. CONT.	W. STEPHENS	9/8/04	
SURFACE FINISHNESS				RELEASE	W. STEPHENS	9/8/04	
				CAGE CODE	DWG NO.		REV
				C	502-3005		NC
				SCALE	1/2		DO NOT SCALE DRAWING
				SHEET 1 OF 1			

NOTE: UNLESS OTHERWISE SPECIFIED.

2
2
2

502-3005



PLATE, END -
CNC MILL